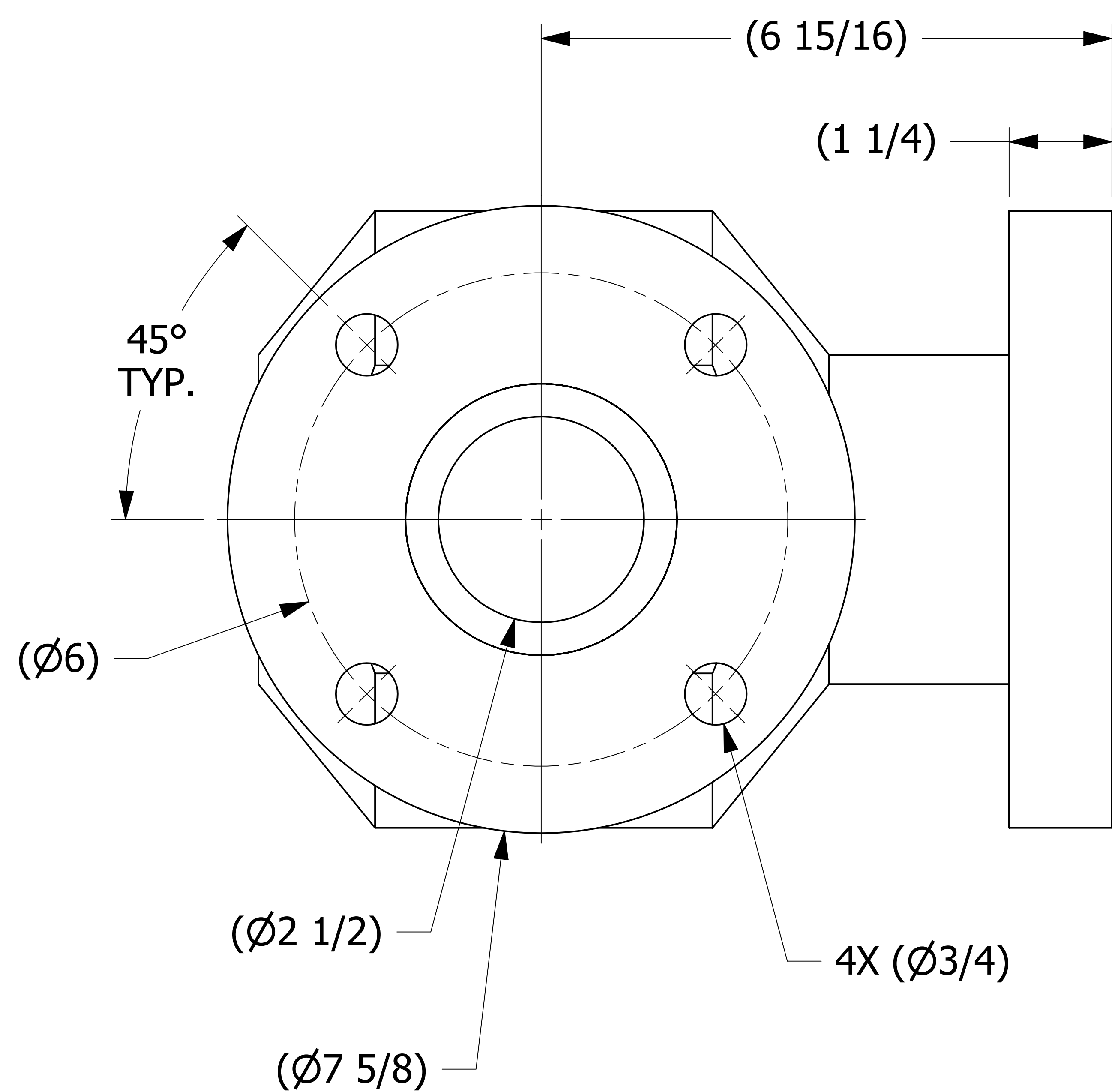


SALES DRAWING SALES DRAWING SALES DRAWING SALES DRAWING

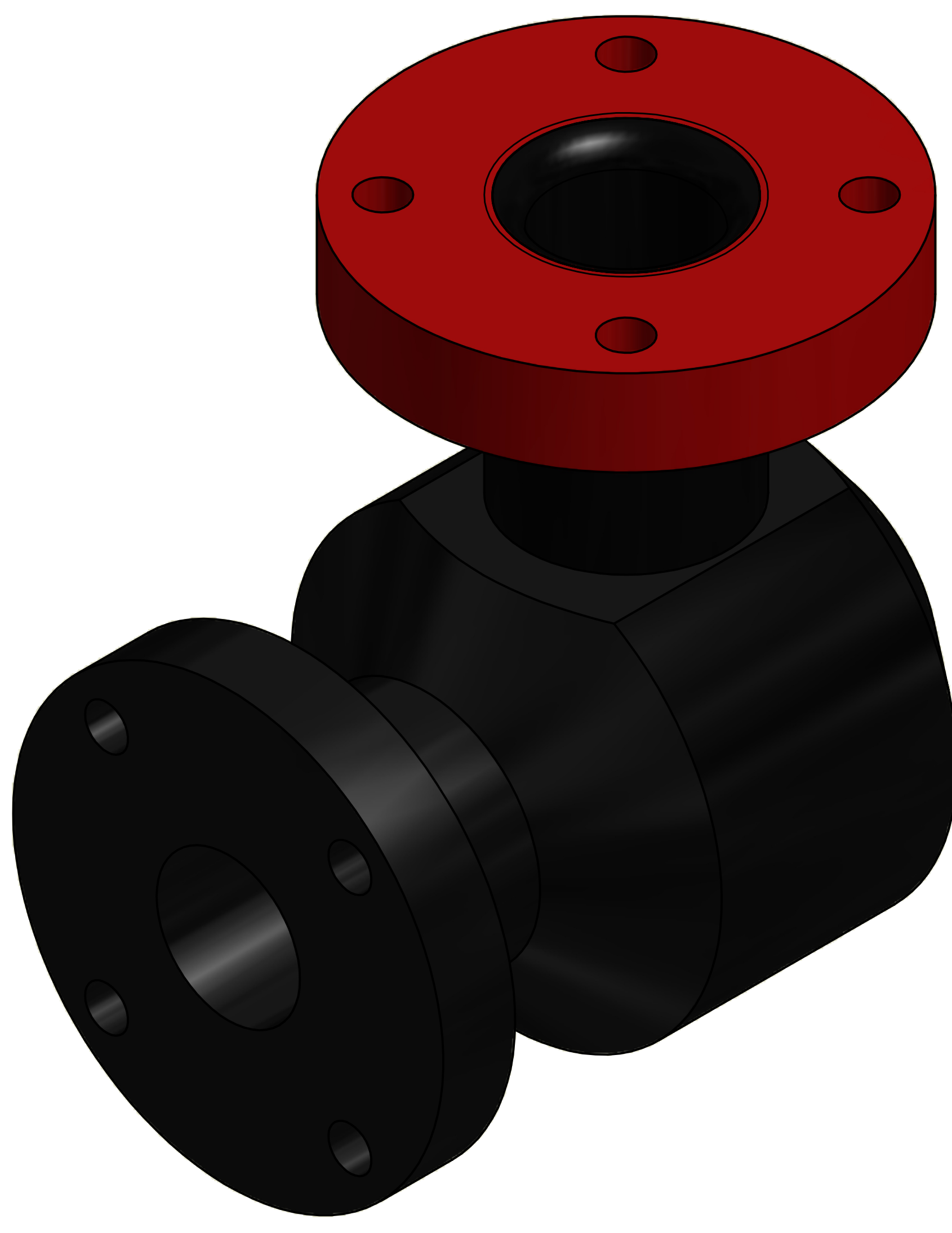
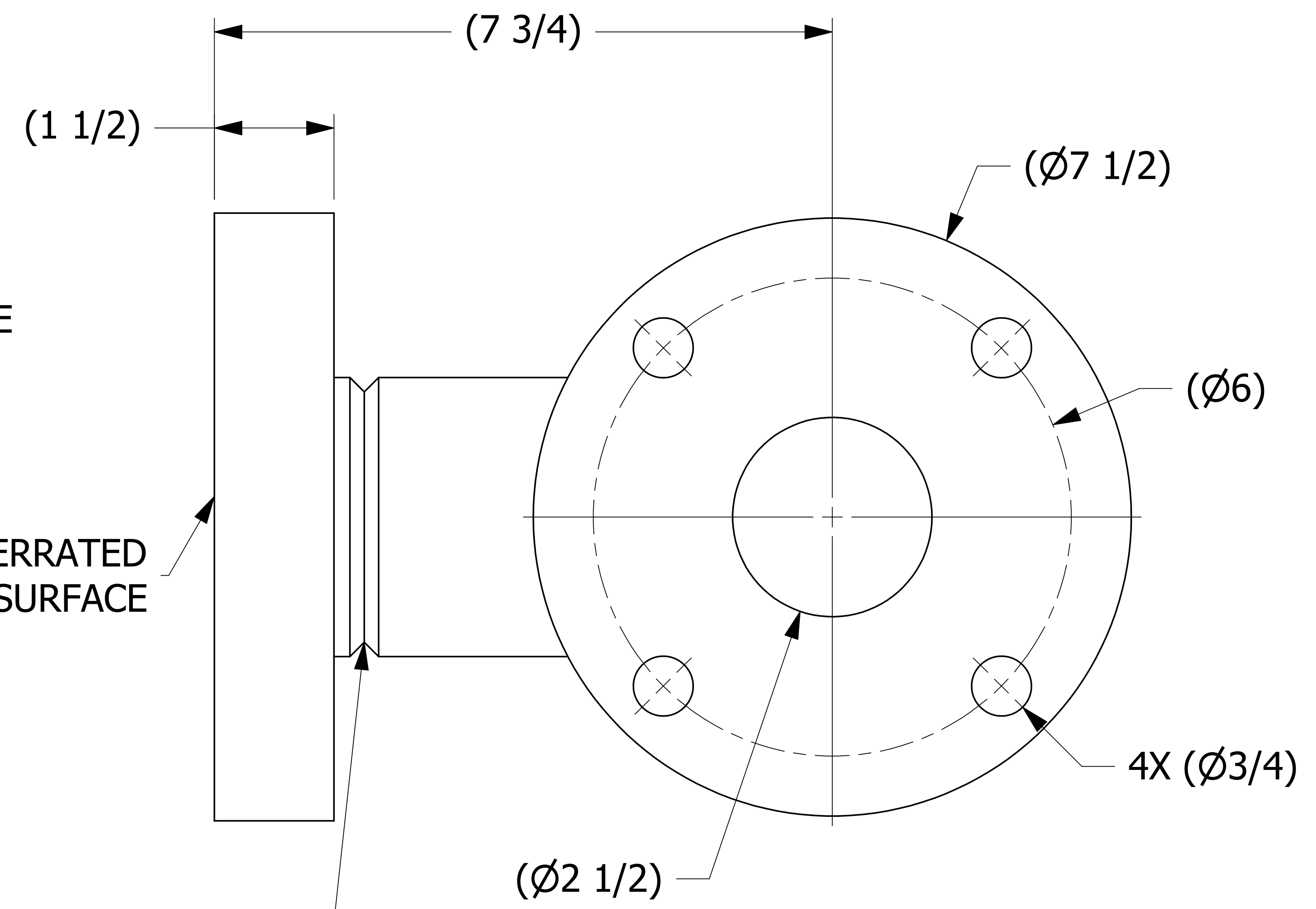
SALES DRAWING SALES DRAWING SALES DRAWING SALES DRAWING



SERRATED GASKET SURFACE

SERRATED GASKET SURFACE

SHEAR GROOVE



ISOMETRIC VIEW

UNLESS OTHERWISE SPECIFIED DIMENSIONAL TOLERANCES FRACTIONAL: ±1/16	DRAWN BY:	TAK
X.XX: ±.03	CHECKED BY:	EJF
X.XXX: ±.015	PROTOTYPE BY:	TAK
ANGULAR: ±1°	PROTOTYPE DATE:	5/3/2017
DEBURR ALL SHARP EDGES. ALL MACHINED SURFACES TO HAVE A 125 RMS FINISH UNLESS NOTED OTHERWISE.	APPROVED FOR PRODUCTION BY:	TAK
THIRD ANGLE PROJECTION	PRODUCTION DATE:	7/28/2017

A	TAK	7-28-17	RELEASED FOR PRODUCTION
REV	BY	DATE	DESCRIPTION
PART NAME: PIPE ELBOW 3"X90°			
MATERIAL: SALCO PE			
PROJECT #: H170501		SHEET #: 1 OF 1	SCALE: 1:1
DRAWING #: E45431		PART #: HS3X90PE21	

THIS PRINT, PROPERTY OF SALCO PRODUCTS INC. CONTAINS PROPRIETARY INFORMATION AND MUST NOT BE COPIED, REPRODUCED, OR USED DETRIMENTALLY TO OUR INTEREST.